

MU800 Hi

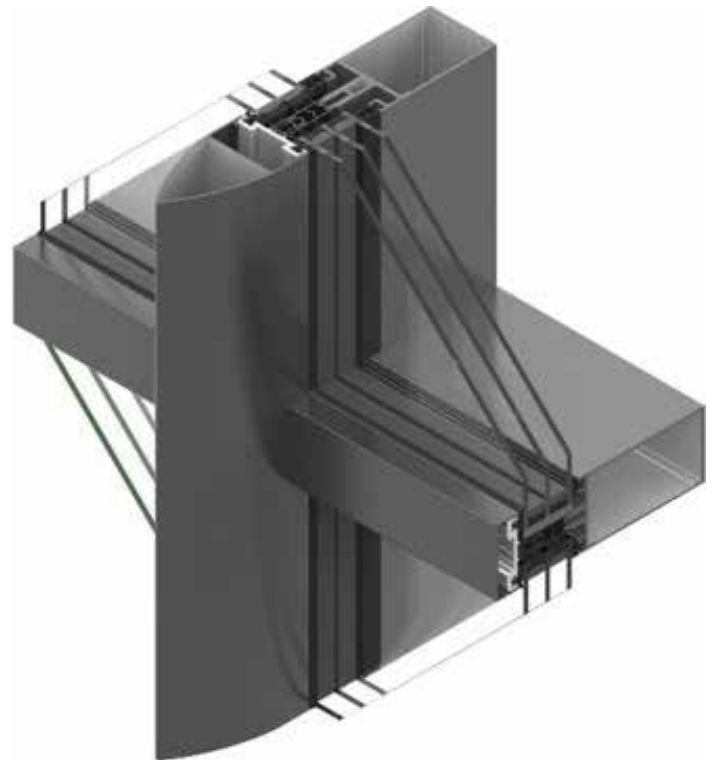
Curtain Wall System



The MU800 Hi Curtain Wall System is the latest offering in the curtain wall suite of facades developed by AMS. This high-performance mullion drained system retains the slim sight-lines of 55 mm and now includes a vast array of capping options for multiple applications and design looks. This system is complimented with a large selection of mullion and transom configurations, offering Ix values ranging from 54 cm⁴ up to 3771 cm⁴. This allows for screens with greater span capability than previously available.

MU800 Hi Curtain Wall System has the additional option of being zone drained using in-house engineered products. This ensures that the MU800 Hi retains its structural integrity, whilst offering greater flexibility for high rise applications. This system further presents a unique design flexibility for all applications with transom combinations ranging from 60 mm to 271 mm.

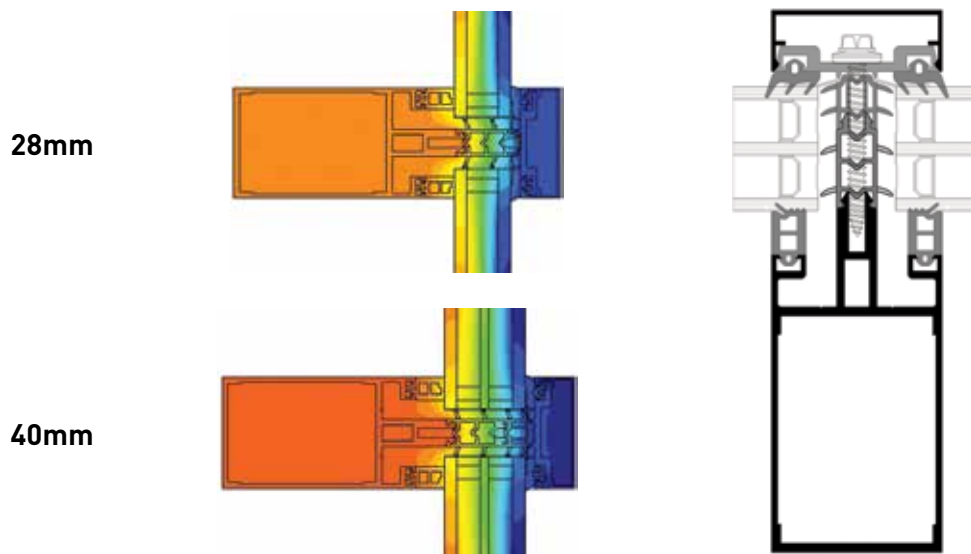
MU800 Hi has been rigorously tested to all the latest BS, EN and CWCT standards and comes with all AMS guarantees as standard. The system is available in multiple finishes, single colour, twin colour or in one of our extensive range of in-house 'Decoral' wood finishes.



MU800 Hi

Curtain Wall System

The MU800 Hi Curtain Walling System is suitable for both vertical and sloped glazing applications and is designed to adhere to the latest strict thermal and structural requirements contained in current building regulations. Typical U-frame values for the MU800 Hi System are in the region of 1.2 to 1.6 W/ m²K depending glazing choice. It is designed to exacting standards ensuring quality, strength and durability providing for many years of aesthetic, sustainable and trouble-free performance. The clever design allows for seamless integration of all our window and door systems.



SYSTEM PERFORMANCE

- Tested to CWCT standards, sequence B
- Air Classification = Class A4 (600 Pa)
- Water Tightness, static = Class R7 (600 Pa)
- Wind Resistance, serviceability = Class E2400 (2400 Pa)
- Water Tightness (Dynamic) = Pass
- Water Tightness (Hose) = Pass
- Wind Resistance (Serviceability) = Class E2400 (2400 Pa)
- Wind Resistance (Safety) = Class E3600 (3600 Pa)
- Impact Resistance - Class E5

FEATURES & FINISHES

- In house designed and developed by AMS
- Ix values ranging from 54 cm⁴ up to 3771 cm⁴
- Mullion size range from 70 mm up to 271 mm
- Slim 55 mm sightline throughout the curtain wall suite of profiles
- Extensive range of capping options for complimentary architectural design
- Fully compatible with AMS Suites of windows and door systems
- Single/twin colours or 'Decoral' wood finishes available

Wallingstown, Little Island, Cork, Ireland. **T** +353 21 4705100 **E** pohara@ams.ie www.ams.ie

