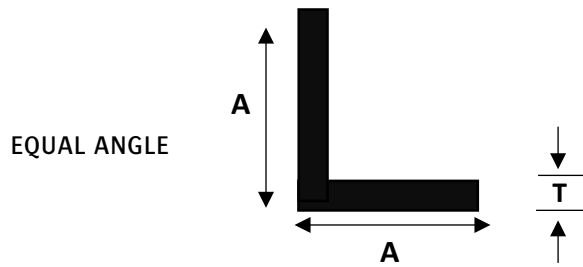


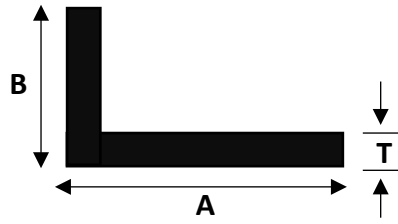


DIE NO	CODE	A X T	KG / METRE	COMMENTS
AMS1472	SF16	15.88 x 3mm	0.129	
AMS1471	SF16B	15.88 x 9.52mm	0.408	
AMS0992	SF19	19 x 3mm	0.154	
AMS1408	SF25D	20 x 6mm	0.324	
AMS1582	SF25C	25 x 3mm	0.203	
AMS1377	SF25F	25 x 6mm	0.405	
SKC0383	LSCR	27 x 5mm	0.219	
AMS2217	SF30F	30 x 30mm	2.429	
AMS1272	SF30B	31.75 x 4.76mm	0.41	
AMS1273	SF30C	31.75 x 6.35mm	0.547	
AMS0315	SF32	31.8 x 3.2mm	0.263	3.2mm rads
AMS0316	SF35A	35 x 5mm	0.473	
AMS1441	SF38C	38 x 3mm	0.307	
AMS1653	SF38D	38 x 6mm	0.619	
AMS1560	SF38K	38 x 9.5mm	0.975	
AMS1821	MF014	42 x 10mm	1.134	
AMS1208	SF45	45 x 10mm	1.209	1.5mm rads
AMS0577	SF50C	50 x 3mm	0.407	
AMS1909	SF50F	50 x 5mm	6.75	
AMS0407	SF50F	50 x 6mm	0.81	
AMS2235	SF54A	54 x 5mm	0.731	0.30 rads
AMS0632	SF60	60 x 6mm	0.972	
AMS0859	SF60A	60 x 8mm	1.296	
AMS0317	SF75A	75 x 5mm	1.01	
AMS1619	SF76F	75 x 6mm	1.215	
AMS1620	SF75D	75 x 9.5mm	1.924	
AMS0858	SF80	80 x 8mm	1.728	

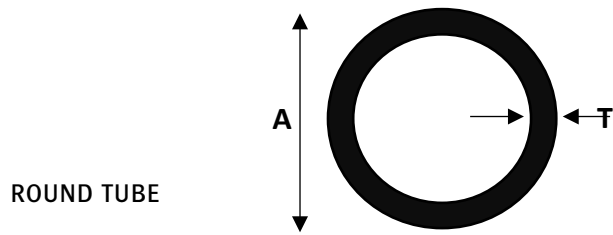
AMS0318	SF89D	88.9 x 3.18mm.	0.76	
AMS1357	ESA03	90 x 10mm	2.443	1.5mm rads
AMS2130	SF91	91 x 6mm	1.473	0.3mm rads
AMS1016	SFA100	100 x 6mm	1.62	
AMS0631	SF100A	100 x 8mm	2.16	
AMS0643	SF100D	100 x 10mm	2.71	
AMS0856	SF101	100 X 15mm	4.05	
AMS0836	SF100C	101.6 x 9.53mm	2.63	
AMS2131	SF116	116 x 6mm	1.878	0.3mm rads
AMS1454	SF118C	118 x 6mm	1.912	
AMS1455	SF118E	118 x 8mm	2.549	
AMS0644	SF120A	120 x 10mm	3.25	
AMS0857	SF120	120 x 15mm	4.86	
AMS1845	MF015	126 x 10mm	3.402	
AMS1263	AAL37	135 x 2mm	0.732	
AMS1067	SF140	140 x 6mm	2.27	
AMS0984	SF150B	150 x 6mm	2.43	
AMS0160	SF150H	150 x 10mm	4.05	
AMS2218	SF150L	150 x 25mm	10.124	
AMS2132	SF167	167 x 6mm	2.705	0.3mm rads
AMS0157	LU530C	180 x 12mm	5.832	see drawing
AMS1452	SF200C	200 x 10mm	5.4	



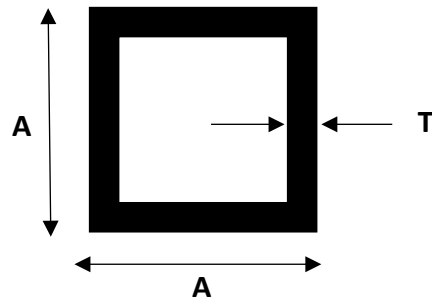
DIE NO	CODE	A x A x T	KG / METRE	COMMENTS
AMS1857	SA19A	19 x 19 x 1.5mm	0.149	
AMS0853	SA19C	19 x 19 x 3mm	0.284	
AMS0269	SA25A	25 x 25 x 1.5mm	0.197	
AMS0340	SA25C	25 x 25 x 3mm	0.381	
AMS1194	SA30C	30 x 30 x 3mm	0.461	
AMS1264	AAL38	32 x 32 x 2mm	0.336	
AMS1029	SA38	38 x 38 x 1.5mm	0.302	
AMS0236	SA38C	38 x 38 x 3mm	0.593	
AMS0781	SA38G	38.1 x 38.1 x 4.76mm	0.917	
AMS1652	SA38HR	38 x 38 x 6mm	1.119	See drawing
AMS0237	SA50C	50 x 50 x 3mm	0.789	
AMS1411	SA50PB	50 x 50 x 5mm	1.28	2.5mm int. rad
AMS0405	SA50F	50 x 50 x 6mm	1.523	
AMS1369	SA75D	75 x 75 x 3mm	1.191	
AMS0578	SA75F	75 x 75 x 6mm	2.341	
AMS0436	SA80	80 x 80 x 6mm	2.504	
AMS0348	SA100FD	100 x 100 x 6mm	3.154	
AMS0835	SA100G	100 x 100 x 8mm	4.147	
AMS1858	SA100J	100 x 100 x 9.5mm	4.887	
AMS1535	SA100H	100 x 100 x 13.5mm	6.94	
AMS1645	SA125C	125 x 125 x 10mm	6.48	
AMS2279	SA150	150 x 150 x 19.75mm	15.00	

UNEQUAL ANGLE


DIE NO	CODE	A x B x T	KG / METRE	COMMENTS
AMS1031	SA22	22 x 18 x 1.8mm	0.19	
AMS0235	SA38C1	38 x 25 x 3mm	0.488	
AMS0464	SA40A	40 x 20 x 2.5mm	0.388	
AMS0480	SA44	44 x 20 x 2.5mm	0.42	
AMS0471	SA50C1	50 x 25 x 3mm	0.593	
AMS1850	SA70	70 x 40 x 2mm	0.583	
AMS1378	SA75C1	75 x 38 x 3mm	0.891	
AMS1552	SA75AB	75 x 50 x 3mm	0.996	
AMS1782	SA75E	75 x 50 x 5mm	1.62	
AMS0593	SA75F1	75 x 50 x 6mm	1.94	
AMS1753	SA76HR	76 x 38 x 6.35mm	1.854	See drawing
AMS1572	SA96	96 x 30 x 5mm	1.633	
AMS1783	SA100AB	100 x 50 x 3mm	1.19	
AMS0279	SA100C	100 x 50 x 6mm	2.341	
AMS0894	SA150A	150 x 50 x 6mm	3.143	
AMS1172	SA150S	150 x 50 x 10mm	5.12	
AMS1849	SA150B	150 x 75 x 6mm	3.564	
AMS1201	SA150W	150 x 75 x 9.5mm	5.52	

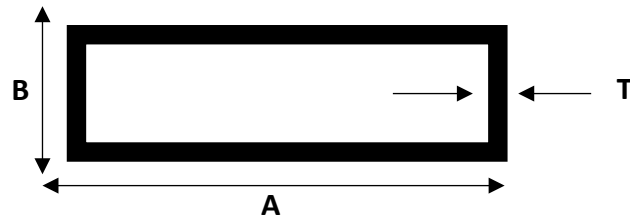


DIE NO	CODE	A x T	KG / METRE	COMMENTS
AMS2338	ST13	13.5 x 3.45mm	0.295	
AMS1559	ST25D2	25 x 3mm	0.636	
AMS2041	ST25E	25 x 6mm	0.96	
AMS1504	ST38	38.1 x 1.5mm	0.485	
AMS0194	ST38F2	38.1 x 3.25mm	0.964	
AMS0221	NPBR70	41 x 1.7mm	0.569	
SKC0169	ST48E	48 X 2mm	0.783	
AMS0583	ST48D3	48.3 X 3mm	1.157	
AMS0267	UPIT51B	50.55 x 1.47mm	0.614	
AMS0783	ST50K	50 x 3mm	1.21	
AMS1093	ST63E	63 x 1.6mm	0.833	
AMS0205	ST68	68 x 6mm	3.15	
AMS0388	ST76P	76.2 x 1.63mm	1.034	
AMS0202	ST75C	75 x 3mm	1.83	
AMS0556	ST93	90 x 3mm	2.214	
AMA0555	ST95	90 x 5mm	3.605	
AMS0191	ST100H	100 x 3mm	2.477	
AMS0538	ST100P	101.6 x 1.6mm	1.36	
AMS0335	ST101C	105 x 2mm	1.754	
AMS0336	GP002	114 x 2mm	1.91	



SQUARE TUBE

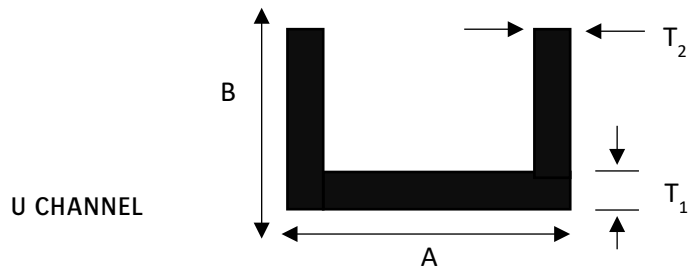
DIE NO	CODE	A x A x T	EXT RAD	INT RAD	KG / METRE	COMMENTS
AMS1381	GRAN1381	17.8 x 17.8 x 1.3mm	1.5mm		0.23	
AMS0193	SH25A	25 x 25 x 1.5mm			0.381	
AMS1602	SH25H	25 x 25 x 2.5mm	0.3mm		0.607	
AMS0454	SH25B	25 x 25 x 3mm			0.712	
AMS0539	SH31D	31.75 x 31.75 x 2.65mm	3.00mm	1.5mm	0.819	see drwg.
AMS0192	SH40A	38.1 x 38.1 x 3.1mm			1.203	
AMS0925	SH40C	40 x 40 x 4mm	5.00mm	1.0mm	1.5	
AMS0168	ABM45	45 x 45 x 1.9mm			0.884	
AMS0222	SH50A2	50 x 50 x 2mm	2.00mm		1.03	
SKC0089	SKY023	50.8 x 50.8 x 1.6mm	7.60mm	6.00mm	0.802	
AMS0345	SH64	50.8 x 50.8 x 3mm	3.00mm	3.00mm	1.555	
AMS2076	SH508	50.8 x 50.8 x 6.35mm	5.89mm	2.95mm	2.988	
AMS2077	SH508A	50.8 x 50.8 x 3.17mm	5.89mm	2.95mm	1.57	
AMS1094	SH63C	63 x 63 x 1.6mm	8.00mm	8.00mm	1.061	
AMS2078	SH635	63.5 x 63.5 x 6.35mm	0.25mm		3.919	
AMS0961	SH65B	65 x 65 x 1.8mm	2.00mm	2.00mm	1.223	
AMS1872	SH76H	76.2 x 76.2 x 1.63mm	8.00mm	8.00mm	1.312	
AMS0293	SH76C	76.2 x 76.2 x 3mm	3.00mm		2.36	
AMS0349	ABM44	100 x 100 x 2mm			2.125	



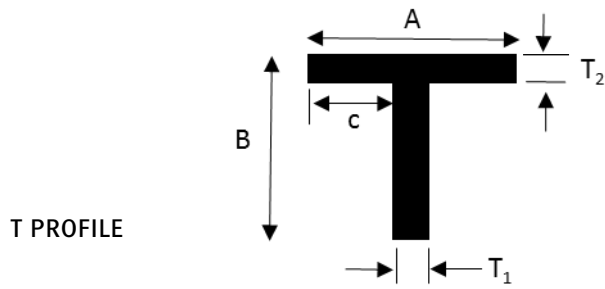
RECTANGULAR BOX

DIE NO	CODE	A x B x T	EXT RAD	INT RAD	KG / METRE	COMMENTS
AMS1848	DWC003	21 x 14 x 1.5mm			0.258	
SKC0283	SKY040	30 x 15 x 1.4mm	1.40mm	0.50mm	0.32	
AMS1534	LAKE003	38.1 x 19.05 x 1.6mm			0.463	
AMS1650	SH4538	45 x 38 x 1.55mm	1.00mm	0.30mm	0.585	
SKC0080	SH4630	46 x 30 x 1.55mm	1.00mm	0.30mm	0.609	
SKC0060	SKY321	46 x 38 x 1.5mm	1.00mm	0.30mm	0.66	
AMS0406	SH50R	50 x 20 x 2mm	3.00mm	1.00mm	0.694	
AMS0663	SH50B	50 x 22.5 x 2mm	3.00mm	1.00mm	0.723	
AMS0174	SH50J	50 x 25 x 1.5mm			0.575	
AMS0239	SH50F	50 x 25 x 3mm			1.12	
AMS1164	SH5132	51 x 32 x 1.55mm	1.00mm	0.30mm	666	
AMS0346	GP004	50.8 x 25.4 x 3mm	3.00mm	3.00mm	1.142	
SKC0079	SKY320	54.6 x 46 x 1.55mm	1.00mm	0.30mm	0.816	
AMS1720	HAD002	60 x 10 x 1.8mm			0.734	See drawing
AMS1154	SH6040	60 x 40 x 8mm			3.65	
AMS0238	SH75B	76 X 38 X 3mm			1.756	
AMS0347	SH76A	76.2 x 50.8 x 3mm	3.00mm	3.00mm	1.968	
AMS0511	ABM31	75 x 25 x 1.9mm			0.987	
AMS0503	MJQ01	75 x 50 x 2.5/6mm			2.045	See drawing
AMS1306	MJQ09	75 x 50 x 3mm			2.302	See drawing
AMS2074	SH762	76.2 x 50.8 x 3.17mm	5.89mm	2.95mm	2.005	
AMS2075	SH762A	76.2 x 50.8 x 6.35mm	5.89mm	2.95mm	3.859	
AMS2362	SH80	80 x 10 x 2mm	0.5mm		1.003	With screw port
AMS1571	SMS01B	85 x 10 x 1.8mm			0.919	See drawing
AMS1849	SA150B	90 x 20 x 2mm	0.50mm	0.50mm	1.143	

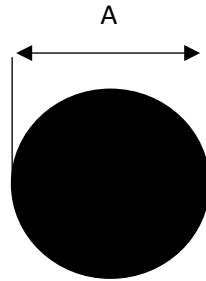
AMS1784	SH90S	90 x 20 x 2 mm			1.256	With screw port
AMS1851	SH93A	93 x 43 x 3mm			2.1	
AMS2056	SH94	94 x 43.2 x 4mm	2.5mm	0.50mm	2.668	With legs, see drawing
AMS1603	HAD001	100 x 20 x 1.9mm			1.311	With screw port
AMS0167	ABM41	100 x 25 x 1.9mm			1.249	
AMS2042	SH10025	100 x 25 x 3.2mm	0.3mm			
AMS1153	SH10040	100 x 40 x 6mm			4.147	
AMS0216	ABMPB	100 x 45 x 1.9mm			1.45	
AMS1459	SH10063C	100 x 50 x 2.5mm			1.957	
AMS0610	SH100	100 x 50 x 3.0mm			2.35	
AMS2073	SH101	101.6 x 50.8 x 6.35mm	5.89mm	2.95mm	4.73	
AMS2064	SH101A	101.6 x 50.8 x 3.3mm	1.00mm	0.4mm	2.6	
AMS2293	SH115	115 x 38 x 5mm			3.875	
AMS1751	SH120	120 x 60 x 5mm			4.606	
AMS2072	SH127A	127 x 50.8 x 6.35mm	5.89mm	2.95mm	5.601	
AMS2001	FP001	150 x 50 x 1.8mm	45 deg. corners	45 deg. corners	1.853	See drawing
AMS0350	SH150S	150 x 50 x 2.5mm			2.632	
AMS0608	SH150	150 x 50 x 3.0mm			3.15	
AMS2246	SH150B	150 x 80 x 4.0mm			4.813	
AMS2079	ACR11	195 x 38 x 2.5mm			3.17	



DIE NO	CODE	A x B x (T1 X T2)	KG / METRE	COMMENTS
AMS0146	SC11	11 x 13 x 1.5mm	0.138	
AMS1666	SLANEY01	24 x 38 x 1.9mm	0.495	1.5 Rad corners
AMS1442	SC25D	25 x 25 x 1.5mm	0.292	
AMS0782	SC25C	25 x 25 x 3mm	0.559	
AMS0872	SC25B	25 x 50 x 2.95mm	0.949	
AMS1958	SC28	28 x 13 x 1.5mm	0.208	
AMS0496	SC30B	30 x 50 x 3mm	1.01	
AMS0672	TT04	35 x 35 x 3mm	0.802	
AMS1174	SC38B	38 x 38 x 3mm	0.875	
AMS0672	SC40D	40 X 50 X 4mm	1.425	
AMS1295	AAL45	46.3 x 20 x 3mm	0.65	
AMS1173	SC50	50 X 25 X 3mm	0.761	
AMS1293	AAL43	51.1 x 38.43 x 2.15mm	0.716	See drawing
AMS2136	SC75	75 x 40 x 6mm	2.883	0.5 Rad corners
AMS1311	SC112	112 x 32 x 3mm	1.382	

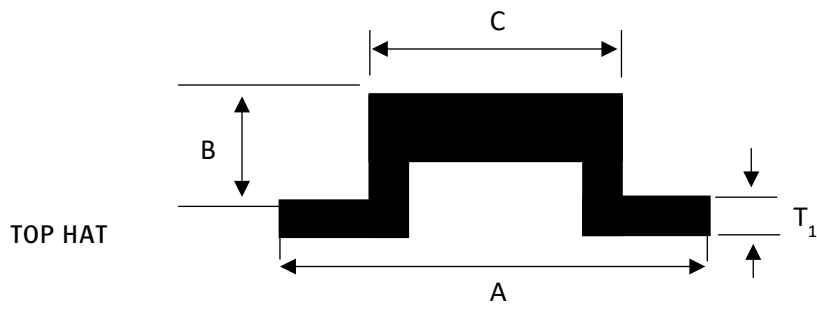


DIE NO	CODE	A x B x (T1 X T2)	KG / METRE	COMMENTS
AMS1579	STT25	25 x 25 x 3mm	0.381	
AMS1394	STT80	80 x 40 x 3mm	0.947	
AMS1556	STT9045	90 x 45 x 3mm	1.069	
AMS1484	STT12040	120 x 40 x 2.5mm	1.07	
AMS1485	STT12060	120 x 60 x 2.5mm	1.2	



ROUND BAR

DIE NO	CODE	A	KG / METRE	COMMENTS
SKC0339	AR21	21mm	0.935	

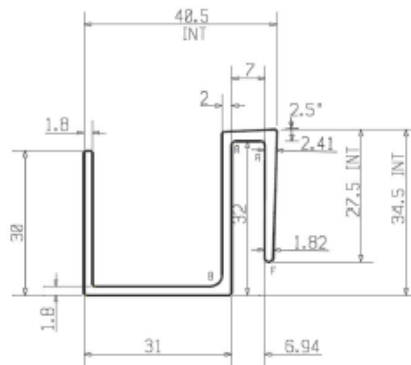


DIE NO	CODE	A x B x C x T ₁	KG / METRE	COMMENTS
AMS1852	RS100	100 x 20 x 50 x 2mm	0.732	
AMS1111	RS108	108 x 30 x 58 x 3mm	1.317	
AMS1218	RS110	110 x 23 x 75 x 3mm	1.21	
AMS1112	RS112	112 x 46 x 68 x 3mm	1.609	
AMS2063	RS118	118.5 x 30.5 x 84.5 x 3mm	1.691	See drawing

HANGING RAIL COMPOSITE PANELS

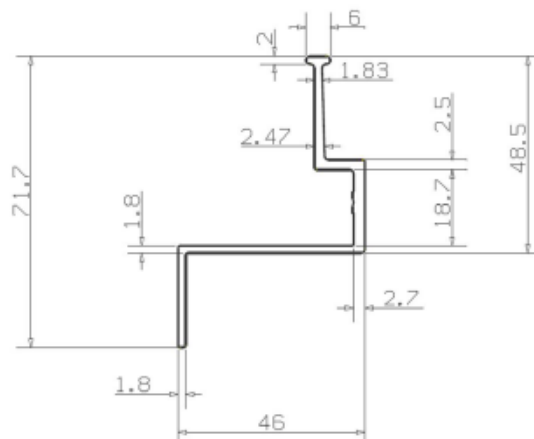
AMS0412

0.667kg/m

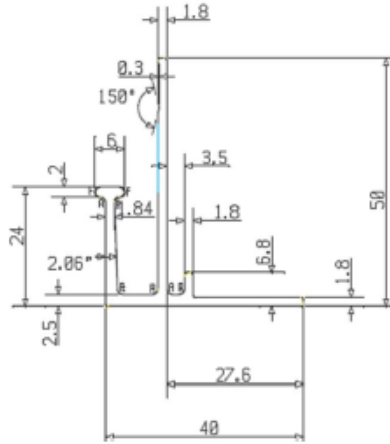


AMS0413

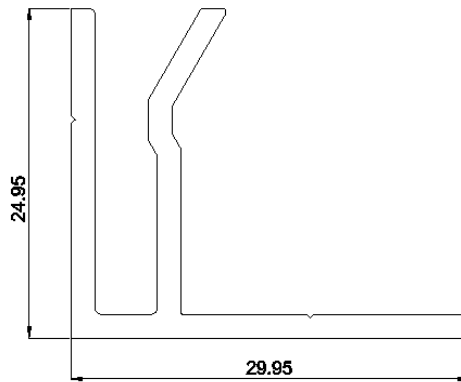
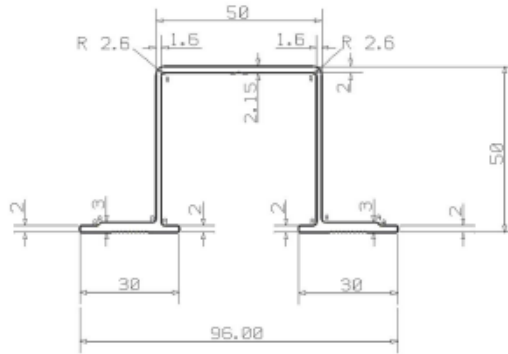
0.727kg/m



AMS0414
0.625kg/m



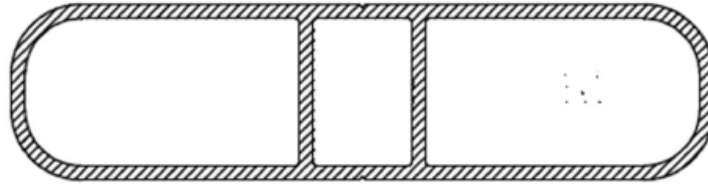
AMS0415
1.077kg/m



100MM LIVESTOCK GATE RAIL

AMS0451

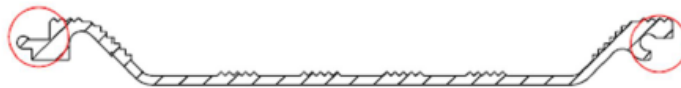
1.454kg/m



LIVESTOCK RAMP

AMS0667

1.336kg/m



25MM MEDIUM RAIL

AMS0227

0.517kg/m

