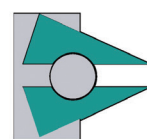
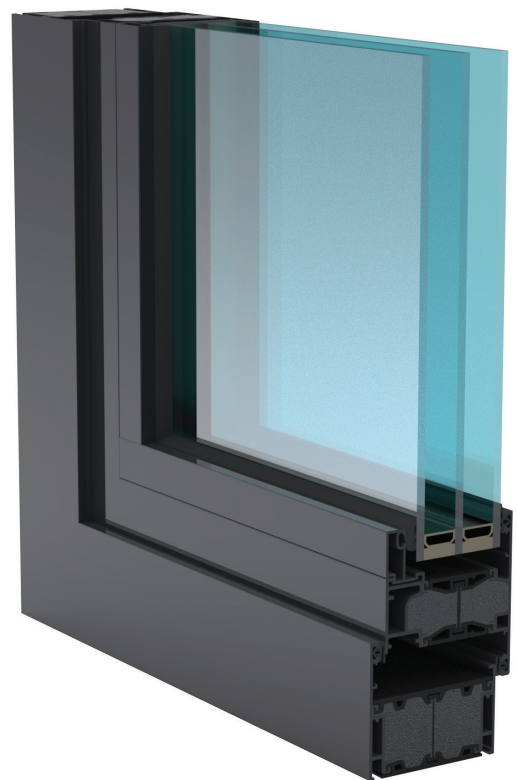


XT66

Casement Window System



The XT66 'Energy' Casement Window System has been developed to further enhance the performance and energy efficiency of our window suites. It is eco-friendly, sustainable, fully certified, patented aluminium window system. Measuring 66 mm in depth. It can be glazed both internally or externally with 28 mm through to 48mm units with a range of sash styles. The XT66 is fully compatible and interchangeable with the TS66 & XTC66 window systems.



AMS

Architectural & Metal Systems

XT66

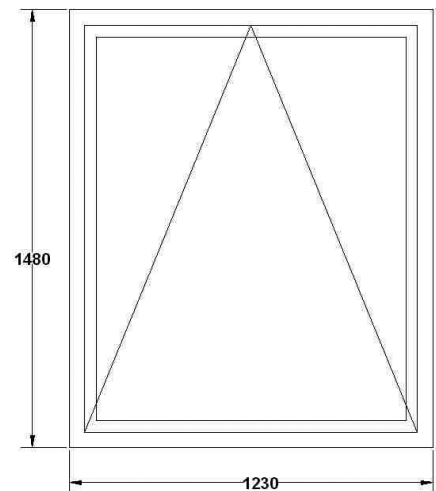
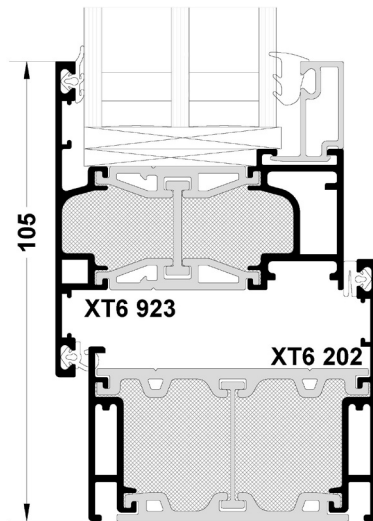
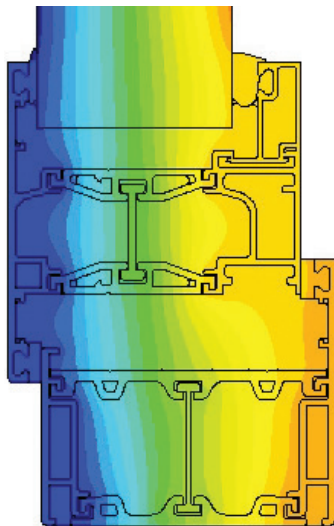
Casement Window System

The system has been tested to BS 6375 - 1: 2015 + A1 2016 and security tested to PAS 24: 2016. It reaches and excels the industry standards in weather and performances in all tests. The XT66 has excellent patented thermal technology and can achieve U-values as low as 0.92 W/m²K. It also boasts a heavy duty, Category 3 status (20,000 cycles), for repeated opening and closing. It offers Casement and Tilt & Turn sash options as standard.

TABLE

U-values based on window 1230 mm x 1480 mm high with full sash. U-value calculated in accordance with BS EN ISO 10077-2:2017

GLASS U-VALVE (W/M ² K)	1.00	1.12	1.20	0.577
XT6200 - XT6923	1.31	1.42	1.45	0.92
XT6202 - XT6923	1.30	1.41	1.44	0.97



SYSTEM PREFERENCES

- Tested to BS 6375 - 1 : 2015 + A1 2016 and BS 6375 - 2 : 2009
- Air Tightness = Class 4 : 600 Pa
- Water Tightness = Class E900 (900Pa)
- Wind Resistance = 2400 (Class E2400A)
- Resistance to Racking and Static Torsion = Class 3
- Resistance to Repeated Opening and Closing = Class 3 (20K Cycles)
- Operating Forces = Class 1
- Tested to PAS24 : 2016 for Security

FEATURES & FINISHES

- Opening Options: Top Hung, Side Hung, Parallel Opening
- Finishes Include: Single/Twin Colour or "Decoral" Wood
- Internally or Externally Beaded
- Can Accommodate units up to 48 mm in Thickness
- Patented Thermal Technology
- CEN Solution Gold Quality Standard
- Secured by Design

Wallingstown, Little Island, Cork, Ireland. **T** +353 21 4705100 **E** pohara@ams.ie www.ams.ie

